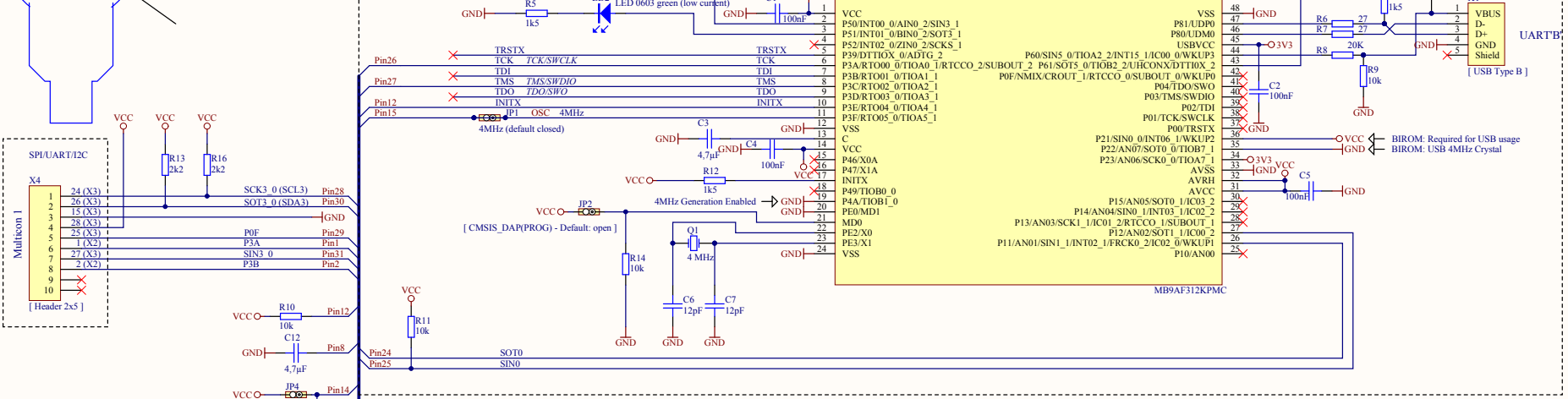


Bulb Board Mini

CMSIS-DAP compatible JTAG + Virtual Com Port



Pin Header Description (X2)

1	P3A/RT000_0/TIOA0_1/AINO_3/SUBOUT_2/RTCC0_2/INT03_0/SCK0_2
2	P3B/RT001_0/TIOA1_1/BINO_3/SOT0_2/INT04_0/SCS31_2
3	P3C/RT002_0/TIOA2_1/ZINO_3/SINO_2/INT05_0/SCS30_2
4	P3D/RT003_0/TIOA3_1/INT06_0/AINO_0/SCK3_2
5	P3E/RT004_0/TIOA0_0/BINO_0/SOT3_2/INT15_0
6	P3F/RT005_0/TIOA1_0/ZINO_0/SIN3_2
7	P46/X0A
8	P47/X1A
9	INTX
10	PEA/ADTG_1/DTTIOX_1/INT02_2
11	MD0
12	PE2/X0
13	PE3/X1
14	5V
15	[GND]

Pin Header Description (X3)

15	GND
16	P11/AN01/SIN1_1/INT02_1/FRCK0_2/IC02_0
17	P12/AN02/SOT1_1/IC00_2/INT01_1
18	P13/AN03/SCK1_1/SUBOUT_1/IC01_2/RTCC0_1/INT00_1
19	P23/AN06/SCK0_0/TIOA2_0/IC02_1/AINO_1/INT04_1
20	P22/AN07/SOT0_0/TIOB2_0/IC03_1/ZINO_1/INT05_1
21	P21/SIN0_0/INT06_1/TIOB1_1/IC01_1/BINO_1/FRCK0_0
22	P01/SWCLK
23	P03/SWDIO
24	P04/SCK3_0/INT03_2/TIOB0_1/IGTRG0_1
25	P0F/NMIX/SUBOUT_0/CROUT_1/RTCC0_0
26	P61/SOT3_0/TIOB2_2/DTTIOX_2/SCS11_2
27	P60/SIN3_0/TIOA2_2/INT15_1/IC00_0/IGTRG0_0/SCS10_2
28	VCC

Pin Header Description (X4)

1	24 (X3)
2	26 (X3)
3	15 (X3)
4	28 (X3)
5	25 (X3)
6	1 (X2)
7	27 (X3)
8	2 (X2)
9	
10	

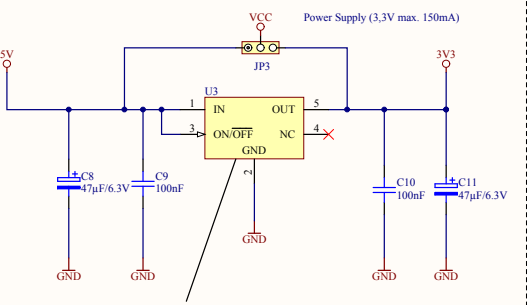
Pin Header Description (X1)

1	1
2	2
3	3
4	4
5	5
6	6
7	7
8	8
9	9
10	10
11	11
12	12
13	13
14	14

Pin Header Description (X1)

1	1
2	2
3	3
4	4
5	5
6	6
7	7
8	8
9	9
10	10
11	11
12	12
13	13
14	14

All parts with values in [brackets] are not assembled.



	Product: BULB-BOARD-MINI	Spanion Inc. http://www.spanion.com hcu-ticks-de@spanion.com Glyn GmbH http://www.glyn.de mcu@glyn.de	
	Sheet: 1 of 1		Doc Revision: V1.1
	Drawn by: [Blank]		HW Revision: V1.1
	File: BulbBoardMini.SchDot		Date: 6/3/2014